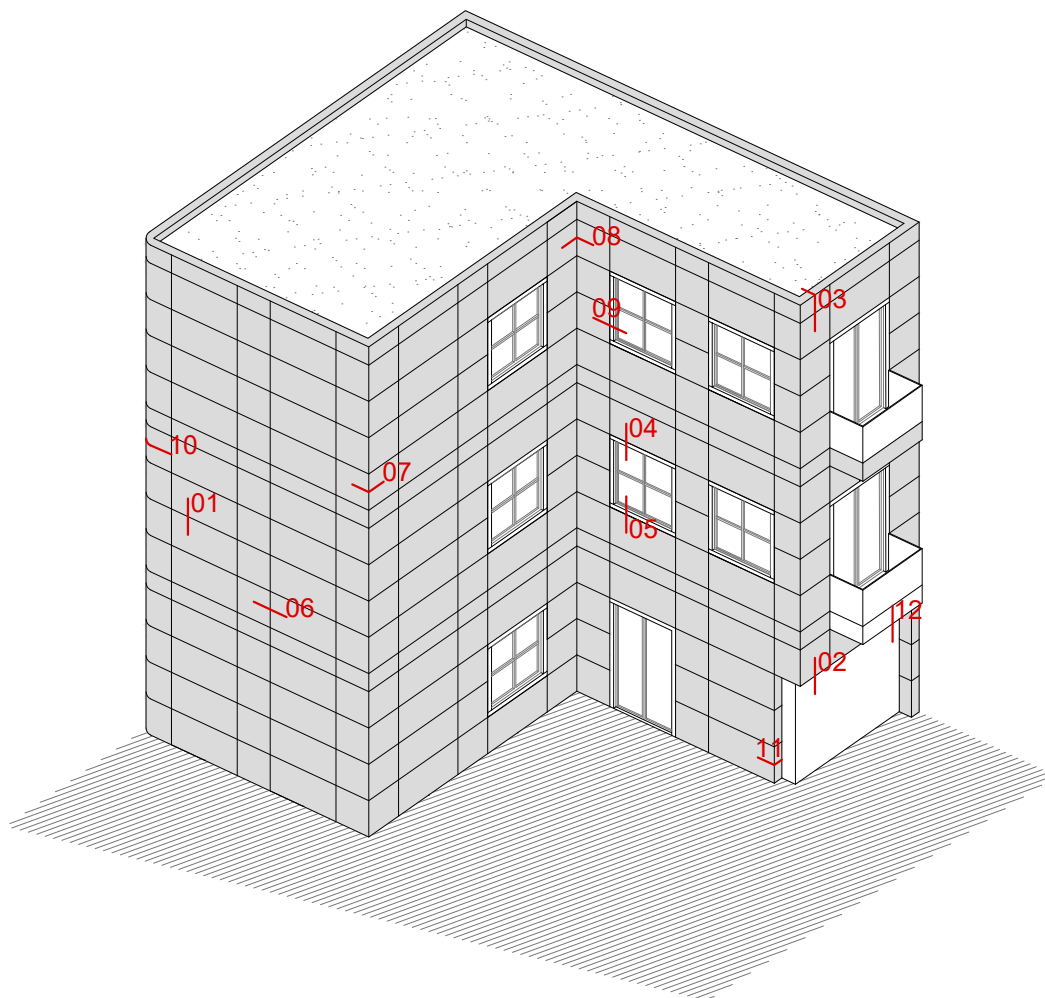


Any unauthorised reproduction, distribution, public communication and/or transformation of this document constitutes a copyright violation.

STAC® is not responsible for its use which is, in any case, intended for evaluation by technically skilled persons, and it is subject to their own discretion and risk.

This information is for conceptual use only, and it may change.



- | | |
|---|--|
| 1 VERTICAL SECTION HORIZONTAL JOINT | 9 HORIZONTAL SECTION WINDOW JAMB |
| 2 VERTICAL SECTION LOWER CLADDING END | 10 HORIZONTAL SECTION ROUNDED CORNER |
| 3 VERTICAL SECTION PARAPET RETURN | 11 HORIZONTAL SECTION LATERAL CLADDING END |
| 4 VERTICAL SECTION WINDOW HEAD | 12 VERTICAL SECTION CEILING |
| 5 VERTICAL SECTION WINDOWS SILL | |
| 6 HORIZONTAL SECTION VERTICAL JOINT | |
| 7 HORIZONTAL SECTION OUTER CORNER | |
| 8 HORIZONTAL SECTION INNER CORNER | |

REV 08/18

SYSTEM STB-SZ

CONSTRUCTION DETAILS

VERTICAL SECTION

HORIZONTAL JOINT

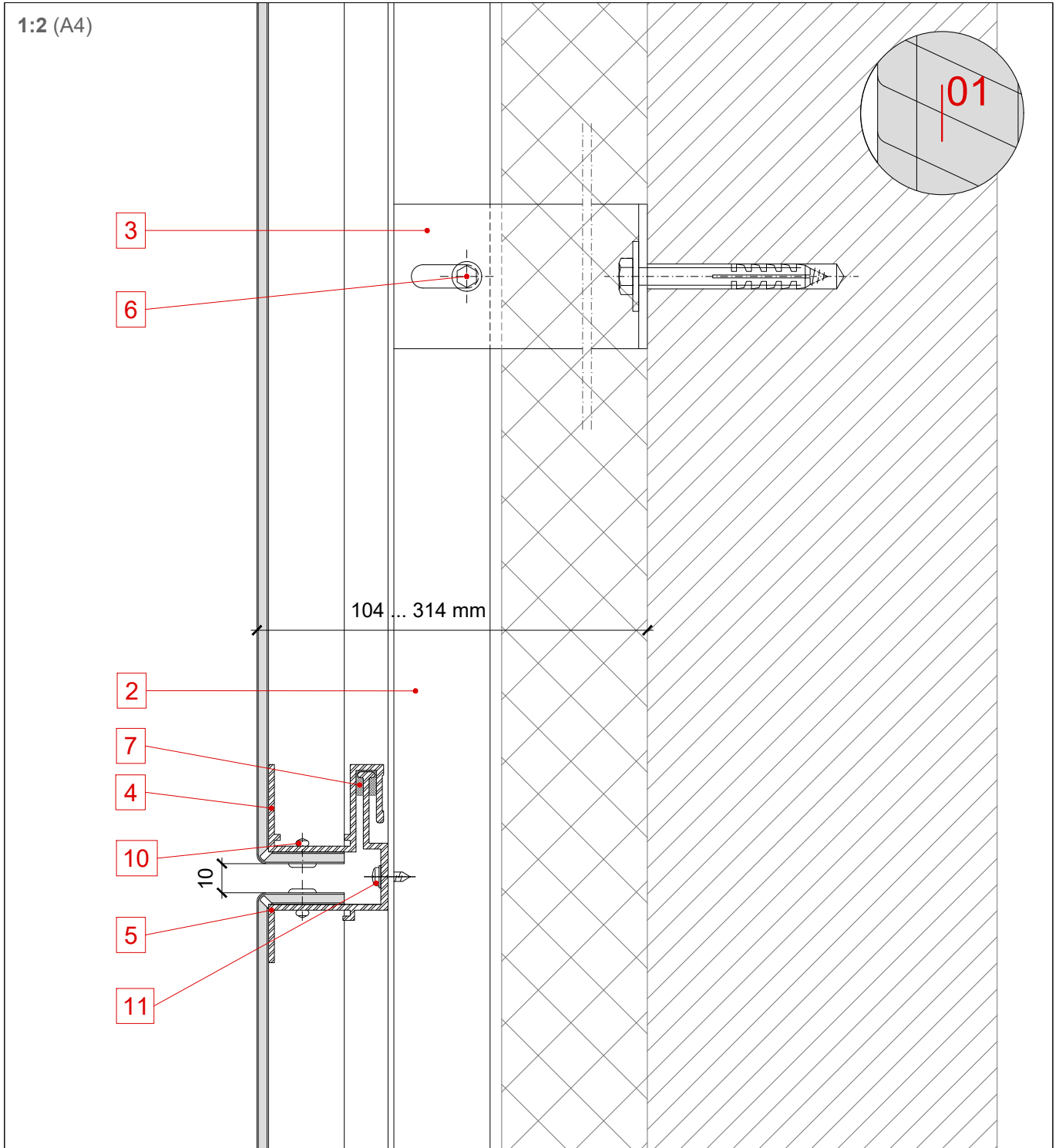
STAC BOND

SZ.01.01

Any unauthorised reproduction, distribution, public communication and/or transformation of this document constitutes a copyright violation.

STAC® is not responsible for its use which is, in any case, intended for evaluation by technically skilled persons, and it is subject to their own discretion and risk.

This information is for conceptual use only, and it may change.



1 STACBOND panel cassette

2 Profil OMEGA

3 Spacer DOUBLE T

4 Profile S

5 Profile Z

6 Through screw M 6 x 60/70

7 EPDM gasket profile SZ

8 Riveted plate for panel joint reinforcement

9 Reinforcement STB-SZ

10 Blind rivet

11 Self-drilling screw

12 Auxiliar profile

13 Water drainage holes

14 Adapted profile Z

15 Water drainage folded sheet

REV 08/18

SYSTEM STB-SZ

CONSTRUCTION DETAILS

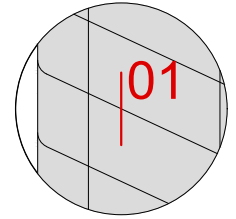
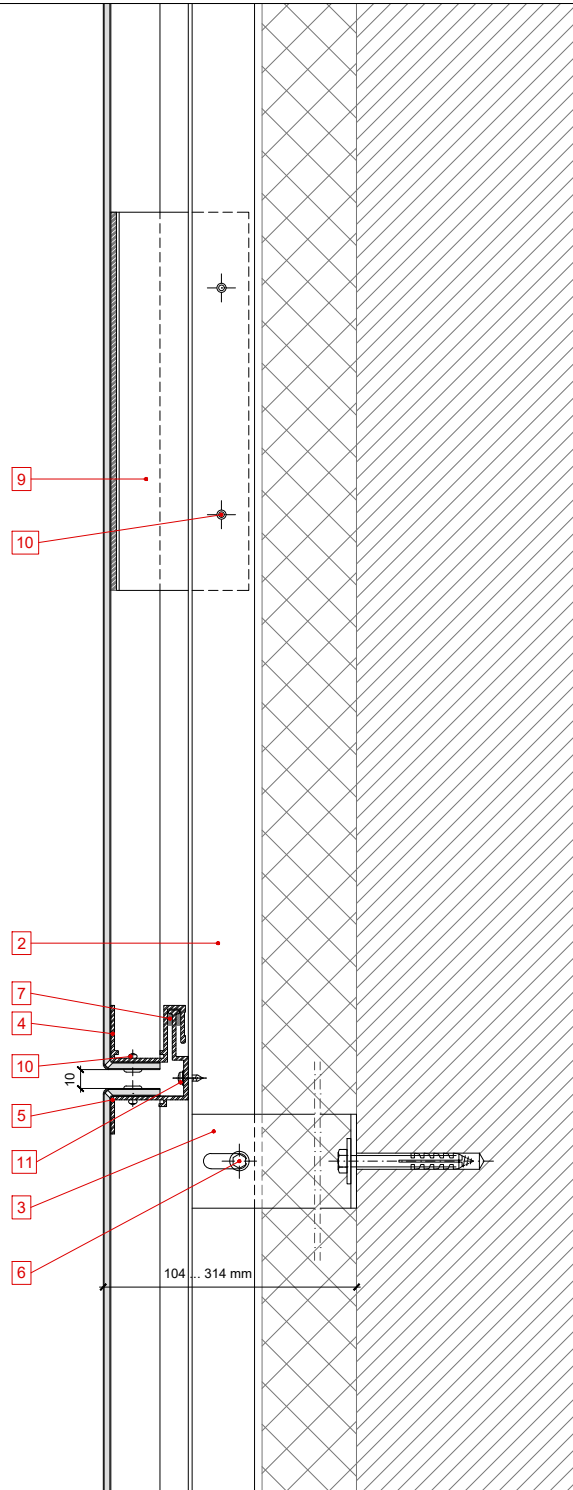
VERTICAL SECTION

HORIZONTAL JOINT

STAC BOND

SZ.01.02

1:4 (A4)



1 **STACBOND** panel cassette

2 Profil OMEGA

3 Spacer DOUBLE T

4 Profile S

5 Profile Z

6 Through screw M 6 x 60/70

7 EPDM gasket profile SZ

8 Riveted plate for panel joint reinforcement

9 Reinforcement STB-SZ

10 Blind rivet

11 Self-drilling screw

12 Auxiliar profile

13 Water drainage holes

14 Adapted profile Z

15 Water drainage folded sheet

REV 08/18

SYSTEM STB-SZ

CONSTRUCTION DETAILS

VERTICAL SECTION

LOWER CLADDING END

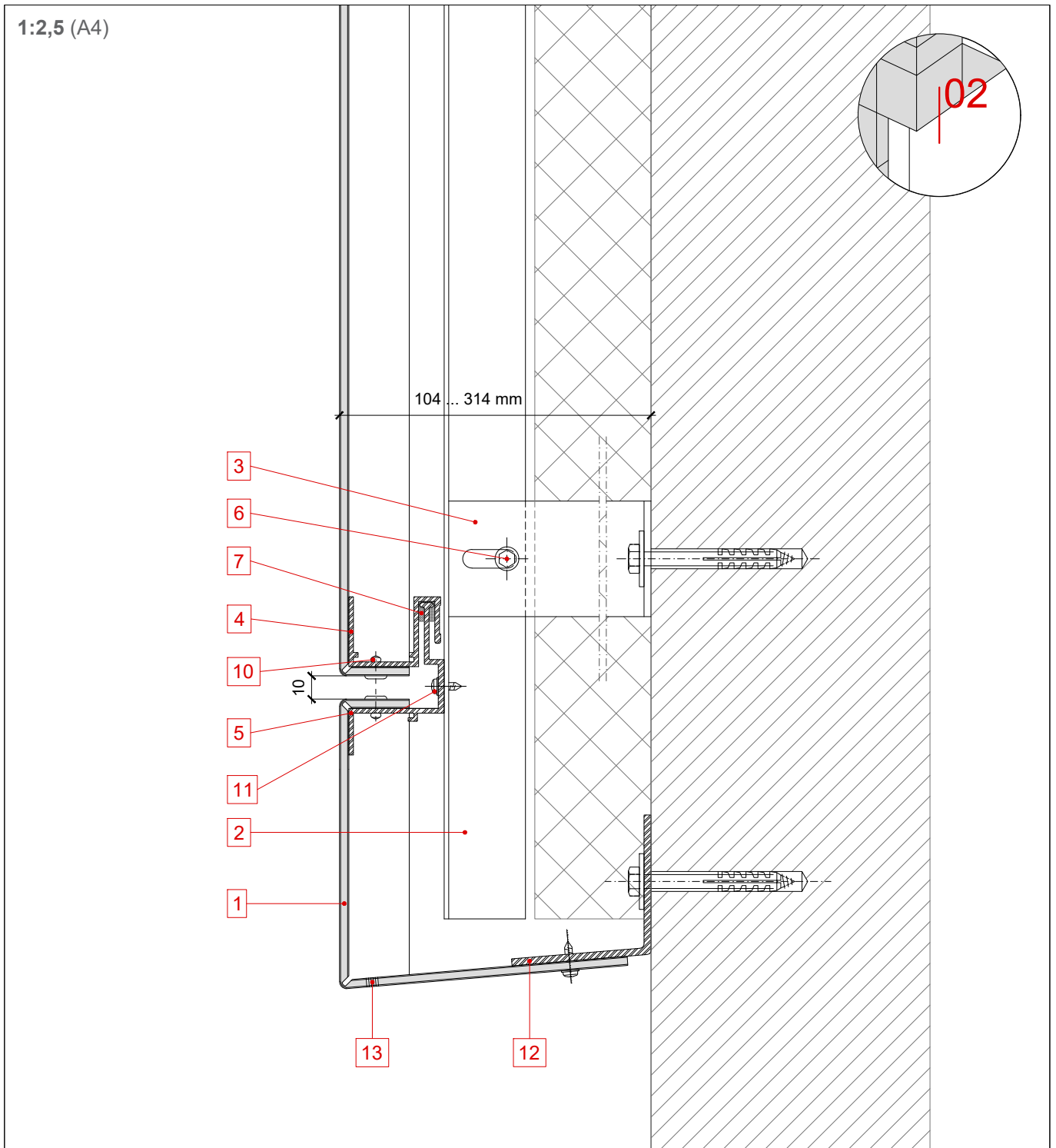
STAC BOND

SZ.02.01

Any unauthorised reproduction, distribution, public communication and/or transformation of this document constitutes a copyright violation.

STAC® is not responsible for its use which is, in any case, intended for evaluation by technically skilled persons, and it is subject to their own discretion and risk.

This information is for conceptual use only, and it may change.



1 STACBOND panel cassette

2 Profil OMEGA

3 Spacer DOUBLE T

4 Profile S

5 Profile Z

6 Through screw M 6 x 60/70

7 EPDM gasket profile SZ

8 Riveted plate for panel joint reinforcement

9 Reinforcement STB-SZ

10 Blind rivet

11 Self-drilling screw

12 Auxiliar profile

13 Water drainage holes

14 Adapted profile Z

15 Water drainage folded sheet

REV 08/18

SYSTEM STB-SZ

CONSTRUCTION DETAILS

VERTICAL SECTION

LOWER CLADDING END

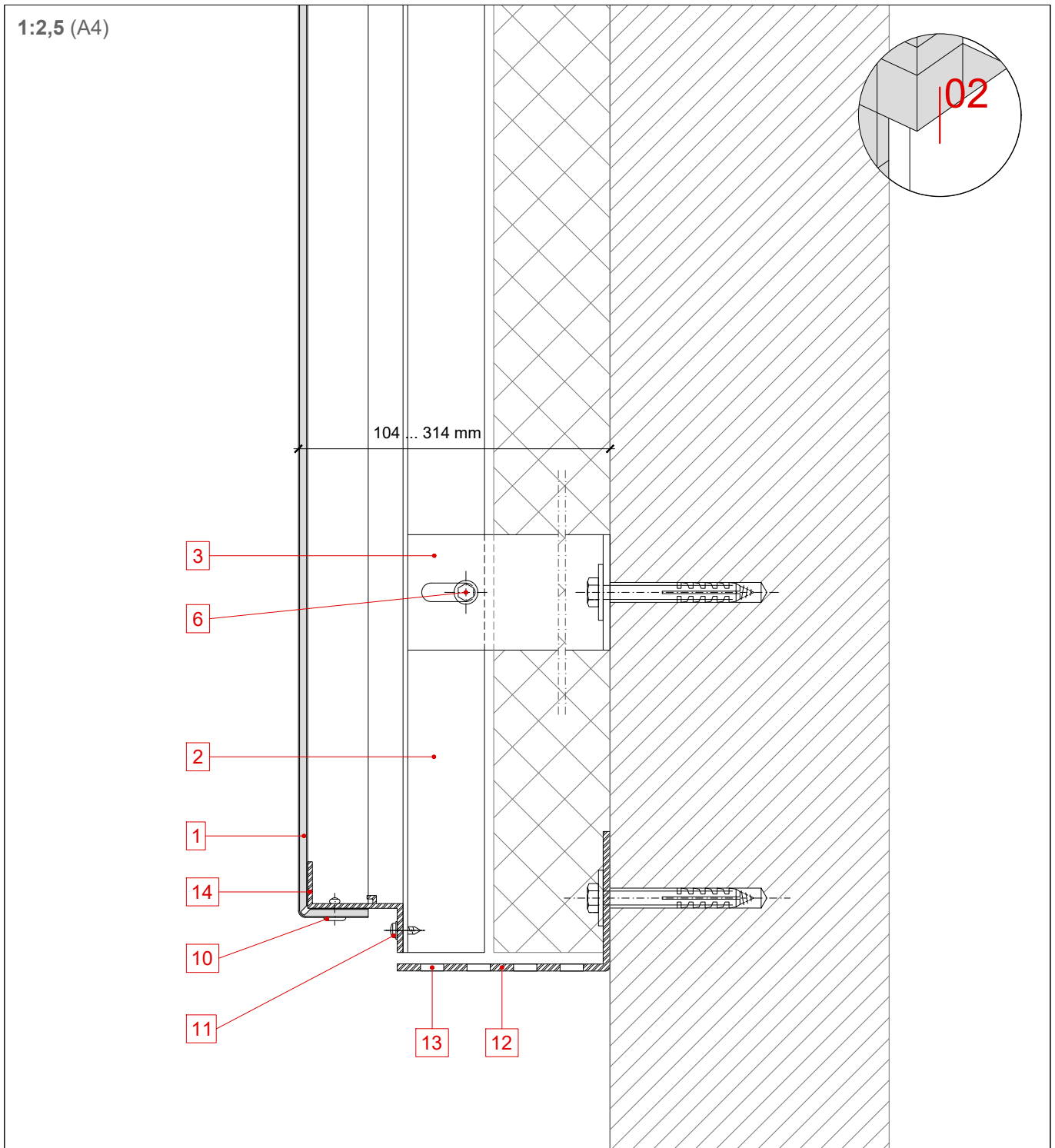
STAC BOND

SZ.02.02

Any unauthorised reproduction, distribution, public communication and/or transformation of this document constitutes a copyright violation.

STAC® is not responsible for its use which is, in any case, intended for evaluation by technically skilled persons, and it is subject to their own discretion and risk.

This information is for conceptual use only, and it may change.



1 STACBOND panel cassette

2 Profil OMEGA

3 Spacer DOUBLE T

4 Profile S

5 Profile Z

6 Through screw M 6 x 60/70

7 EPDM gasket profile SZ

8 Riveted plate for panel joint reinforcement

9 Reinforcement STB-SZ

10 Blind rivet

11 Self-drilling screw

12 Auxiliar profile

13 Water drainage holes

14 Adapted profile Z

15 Water drainage folded sheet

REV 08/18

SYSTEM STB-SZ

CONSTRUCTION DETAILS

VERTICAL SECTION

LOWER CLADDING END

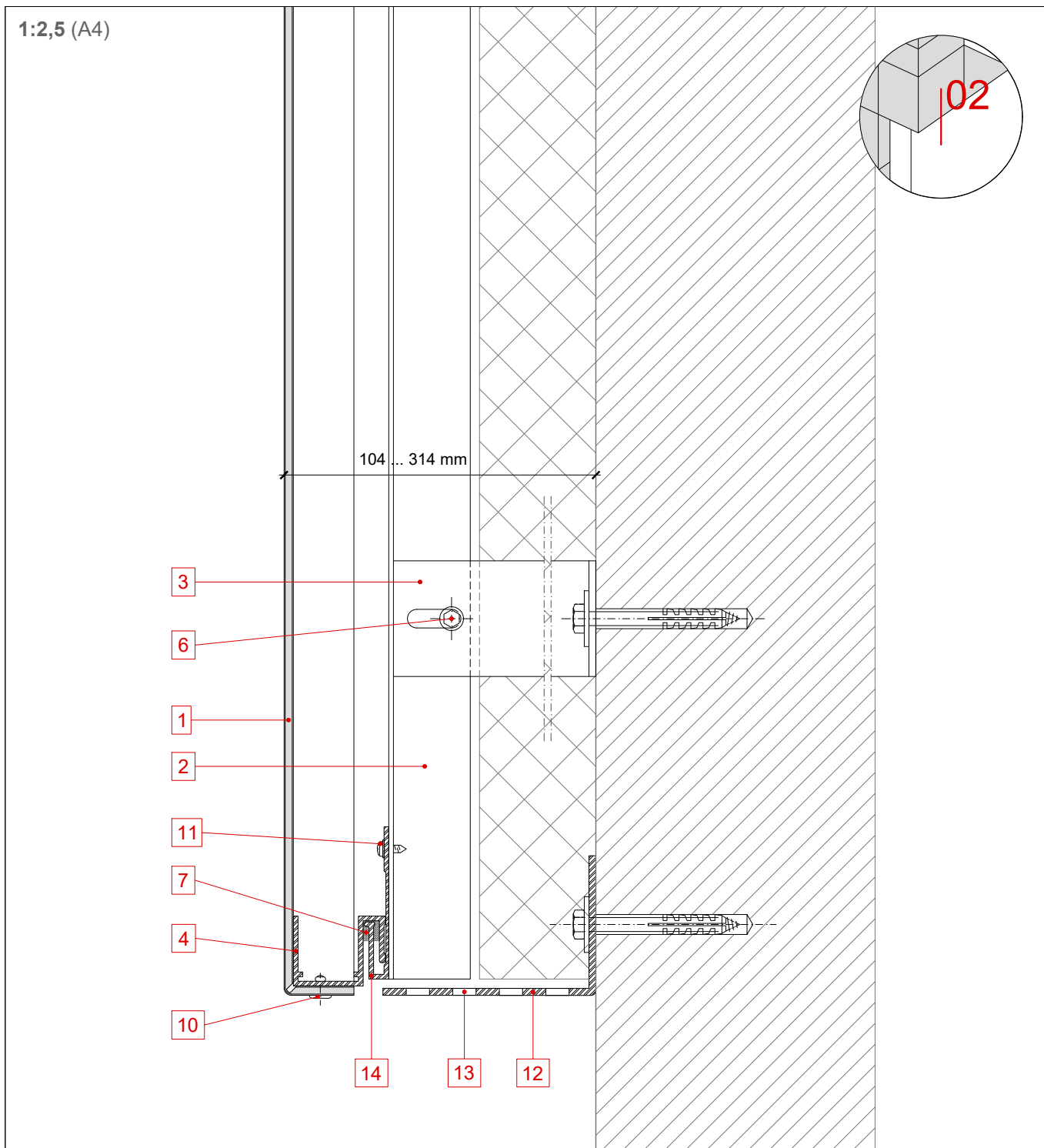
STAC BOND

SZ.02.03

Any unauthorised reproduction, distribution, public communication and/or transformation of this document constitutes a copyright violation.

STAC® is not responsible for its use which is, in any case, intended for evaluation by technically skilled persons, and it is subject to their own discretion and risk.

This information is for conceptual use only, and it may change.



1 **STACBOND** panel cassette

2 Profil OMEGA

3 Spacer DOUBLE T

4 Profile S

5 Profile Z

6 Through screw M 6 x 60/70

7 EPDM gasket profile SZ

8 Riveted plate for panel joint reinforcement

9 Reinforcement STB-SZ

10 Blind rivet

11 Self-drilling screw

12 Auxiliar profile

13 Water drainage holes

14 Adapted profile Z

15 Water drainage folded sheet

REV 08/18

SYSTEM STB-SZ

CONSTRUCTION DETAILS

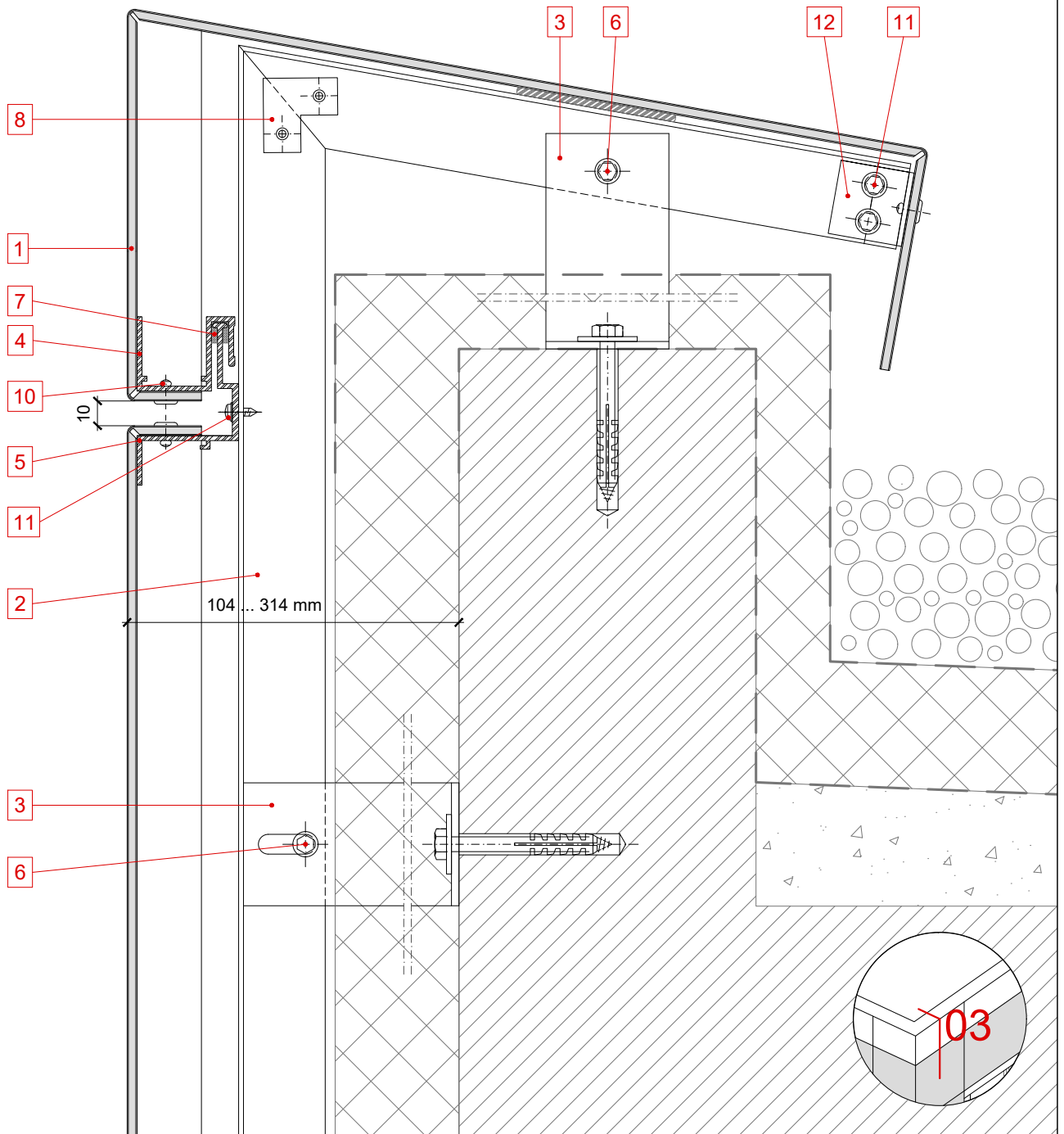
VERTICAL SECTION

PARAPET RETURN

STAC BOND

SZ.03.01

1:2,5 (A4)



1 **STACBOND** panel cassette

2 Profil OMEGA

3 Spacer DOUBLE T

4 Profile S

5 Profile Z

6 Through screw M 6 x 60/70

7 EPDM gasket profile SZ

8 Riveted plate for panel joint reinforcement

9 Reinforcement STB-SZ

10 Blind rivet

11 Self-drilling screw

12 Auxiliar profile

13 Water drainage holes

14 Adapted profile Z

15 Water drainage folded sheet

REV 08/18

SYSTEM STB-SZ

CONSTRUCTION DETAILS

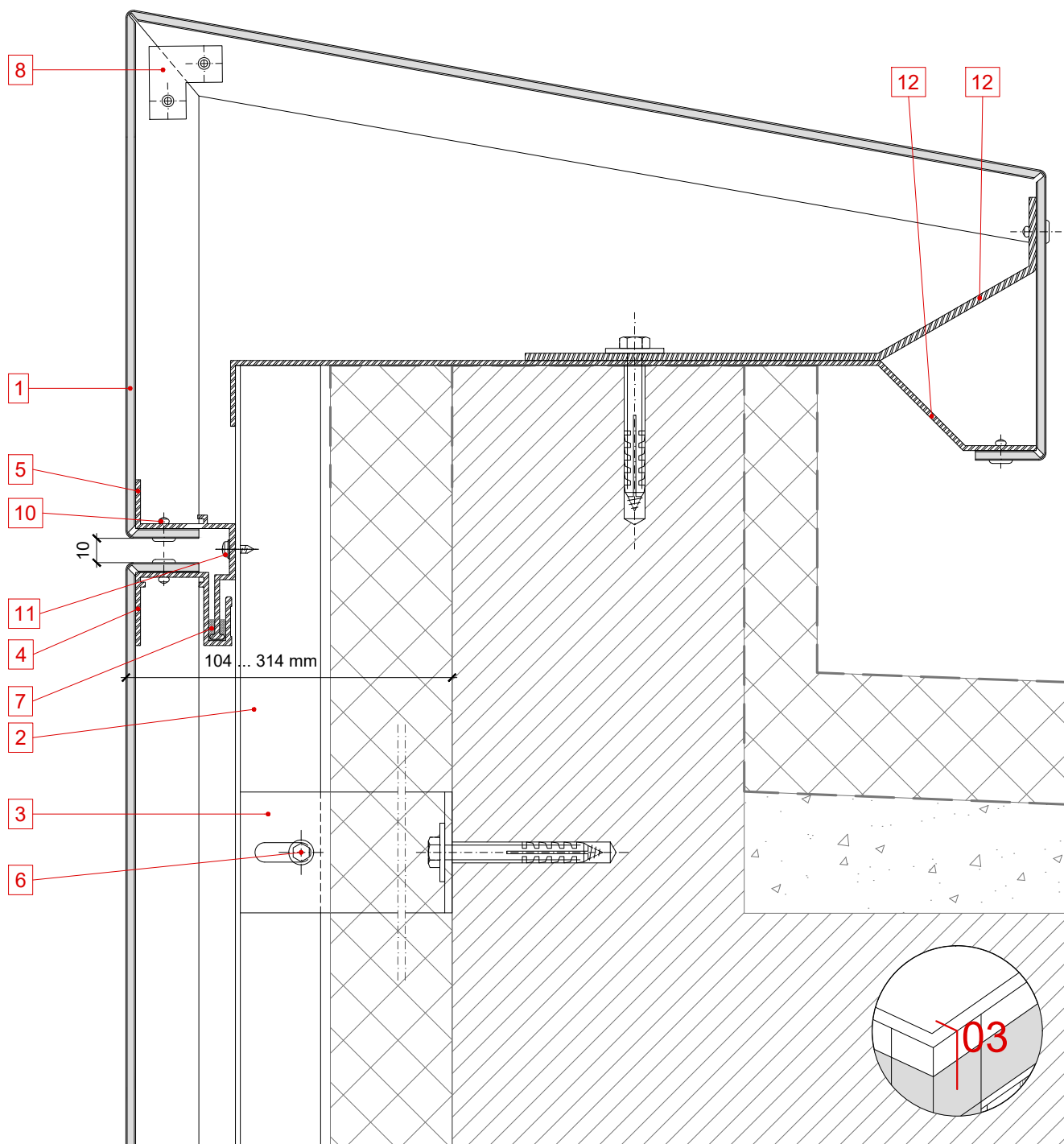
VERTICAL SECTION

PARAPET RETURN

STAC BOND

SZ.03.02

1:2,5 (A4)



1 **STACBOND** panel cassette

2 Profil OMEGA

3 Spacer DOUBLE T

4 Profile S

5 Profile Z

6 Through screw M 6 x 60/70

7 EPDM gasket profile SZ

8 Riveted plate for panel joint reinforcement

9 Reinforcement STB-SZ

10 Blind rivet

11 Self-drilling screw

12 Auxiliar profile

13 Water drainage holes

14 Adapted profile Z

15 Water drainage folded sheet

REV 08/18

Any unauthorised reproduction, distribution, public communication and/or transformation of this document constitutes a copyright violation.

STAC® is not responsible for its use which is, in any case, intended for evaluation by technically skilled persons, and it is subject to their own discretion and risk.

This information is for conceptual use only, and it may change.

SYSTEM STB-SZ

CONSTRUCTION DETAILS

VERTICAL SECTION

WINDOW HEAD

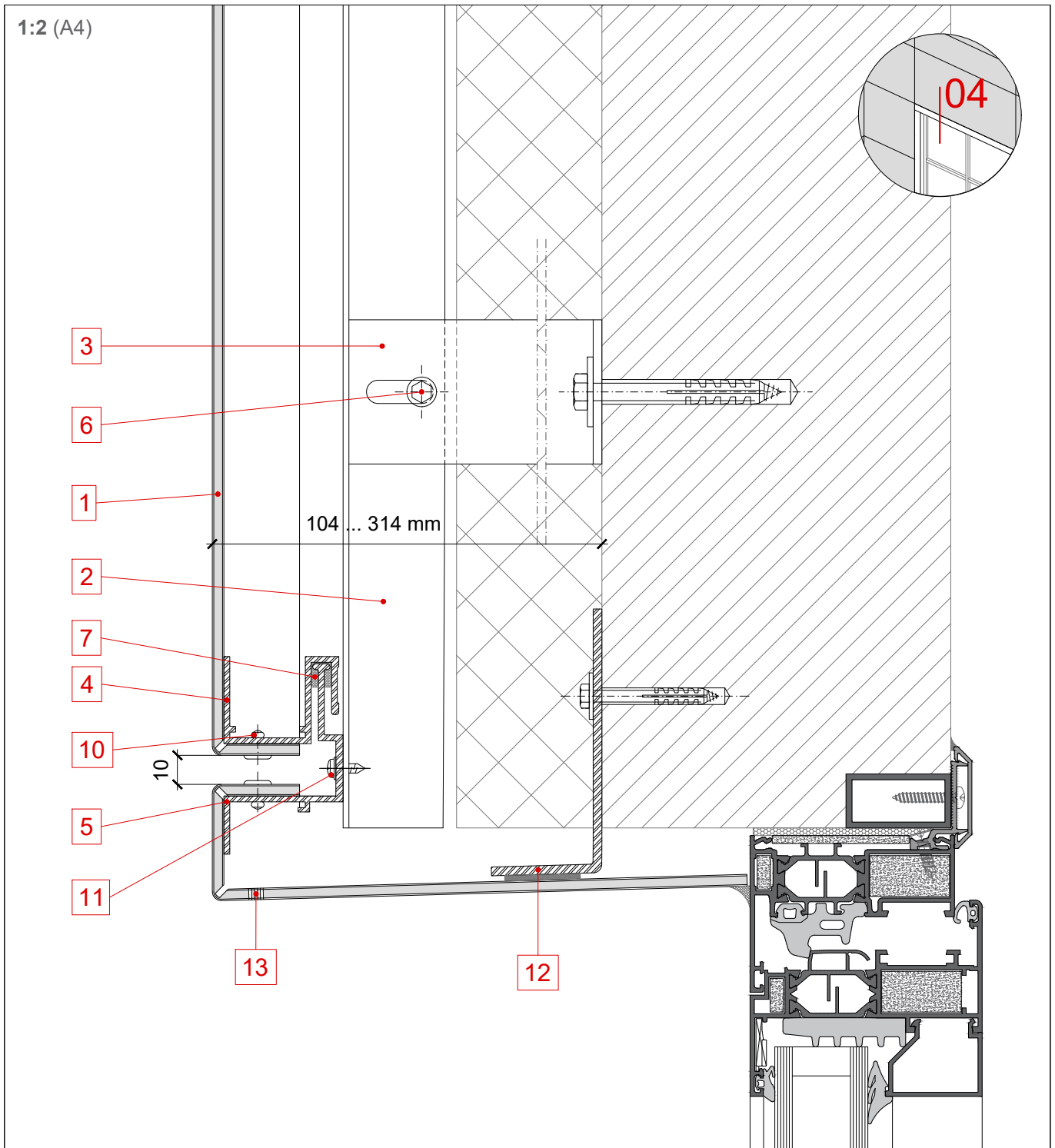
STAC BOND

SZ.04.01

Any unauthorised reproduction, distribution, public communication and/or transformation of this document constitutes a copyright violation.

STAC® is not responsible for its use which is, in any case, intended for evaluation by technically skilled persons, and it is subject to their own discretion and risk.

This information is for conceptual use only, and it may change.



1 STACBOND panel cassette

2 Profil OMEGA

3 Spacer DOUBLE T

4 Profile S

5 Profile Z

6 Through screw M 6 x 60/70

7 EPDM gasket profile SZ

8 Riveted plate for panel joint reinforcement

9 Reinforcement STB-SZ

10 Blind rivet

11 Self-drilling screw

12 Auxiliar profile

13 Water drainage holes

14 Adapted profile Z

15 Water drainage folded sheet

REV 08/18

SYSTEM STB-SZ

CONSTRUCTION DETAILS

VERTICAL SECTION

WINDOWS HEAD

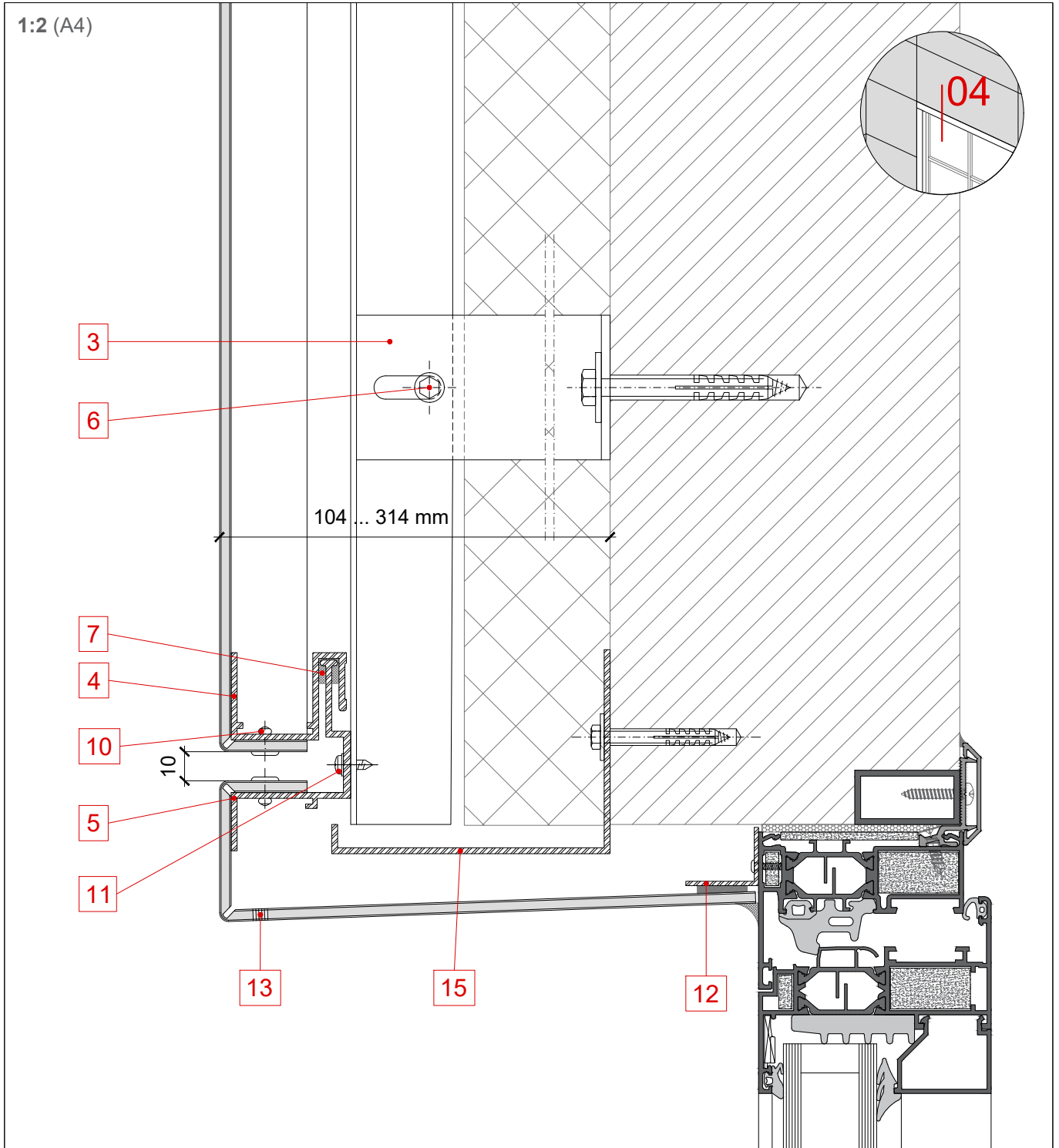
STAC BOND

SZ.04.02

Any unauthorised reproduction, distribution, public communication and/or transformation of this document constitutes a copyright violation.

STAC® is not responsible for its use which is, in any case, intended for evaluation by technically skilled persons, and it is subject to their own discretion and risk.

This information is for conceptual use only, and it may change.



1 STACBOND panel cassette

2 Profil OMEGA

3 Spacer DOUBLE T

4 Profile S

5 Profile Z

6 Through screw M 6 x 60/70

7 EPDM gasket profile SZ

8 Riveted plate for panel joint reinforcement

9 Reinforcement STB-SZ

10 Blind rivet

11 Self-drilling screw

12 Auxiliar profile

13 Water drainage holes

14 Adapted profile Z

15 Water drainage folded sheet

REV 08/18

SYSTEM STB-SZ

CONSTRUCTION DETAILS

VERTICAL SECTION

WINDOW SILL

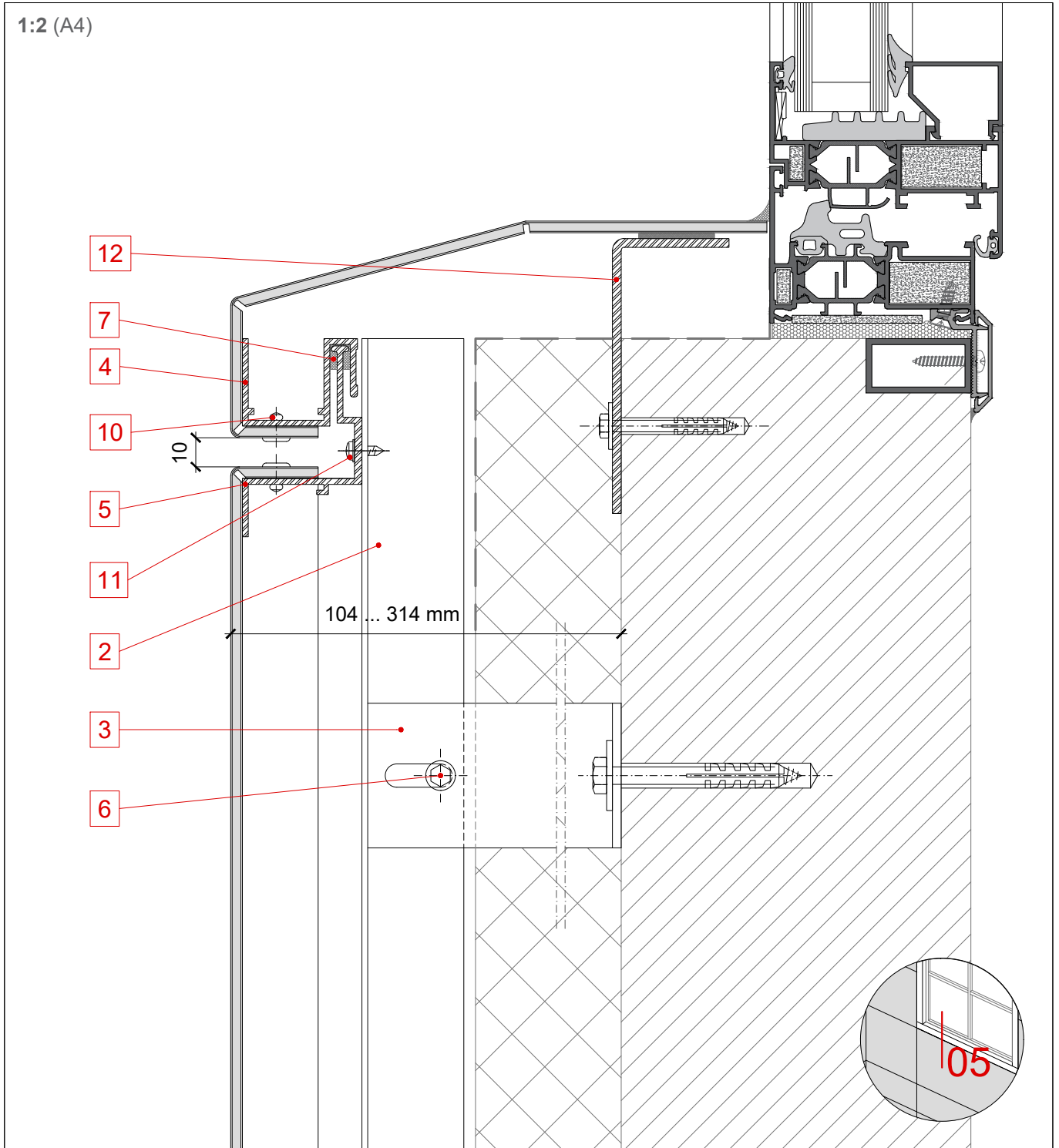
STAC BOND

SZ.05.01

Any unauthorised reproduction, distribution, public communication and/or transformation of this document constitutes a copyright violation.

STAC® is not responsible for its use which is, in any case, intended for evaluation by technically skilled persons, and it is subject to their own discretion and risk.

This information is for conceptual use only, and it may change.



1 STACBOND panel cassette

2 Profil OMEGA

3 Spacer DOUBLE T

4 Profile S

5 Profile Z

6 Through screw M 6 x 60/70

7 EPDM gasket profile SZ

8 Riveted plate for panel joint reinforcement

9 Reinforcement STB-SZ

10 Blind rivet

11 Self-drilling screw

12 Auxiliar profile

13 Water drainage holes

14 Adapted profile Z

15 Water drainage folded sheet

REV 08/18

SYSTEM STB-SZ

CONSTRUCTION DETAILS

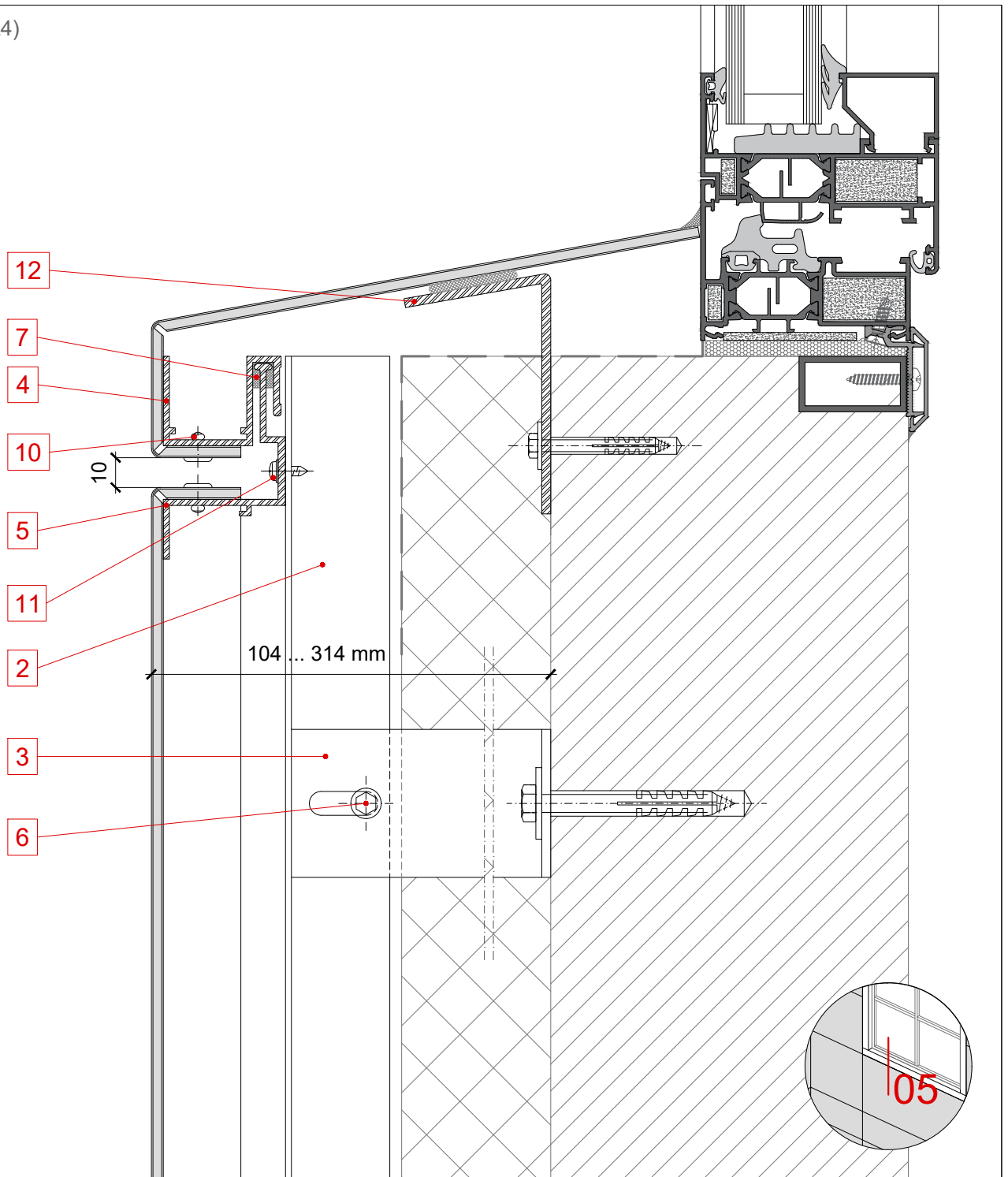
VERTICAL SECTION

WINDOW SILL

STAC BOND

SZ.05.02

1:2 (A4)



1 STACBOND panel cassette

2 Profil OMEGA

3 Spacer DOUBLE T

4 Profile S

5 Profile Z

6 Through screw M 6 x 60/70

7 EPDM gasket profile SZ

8 Riveted plate for panel joint reinforcement

9 Reinforcement STB-SZ

10 Blind rivet

11 Self-drilling screw

12 Auxiliar profile

13 Water drainage holes

14 Adapted profile Z

15 Water drainage folded sheet

REV 08/18

SYSTEM STB-SZ

CONSTRUCTION DETAILS

VERTICAL SECTION

WINDOW SILL

STAC BOND

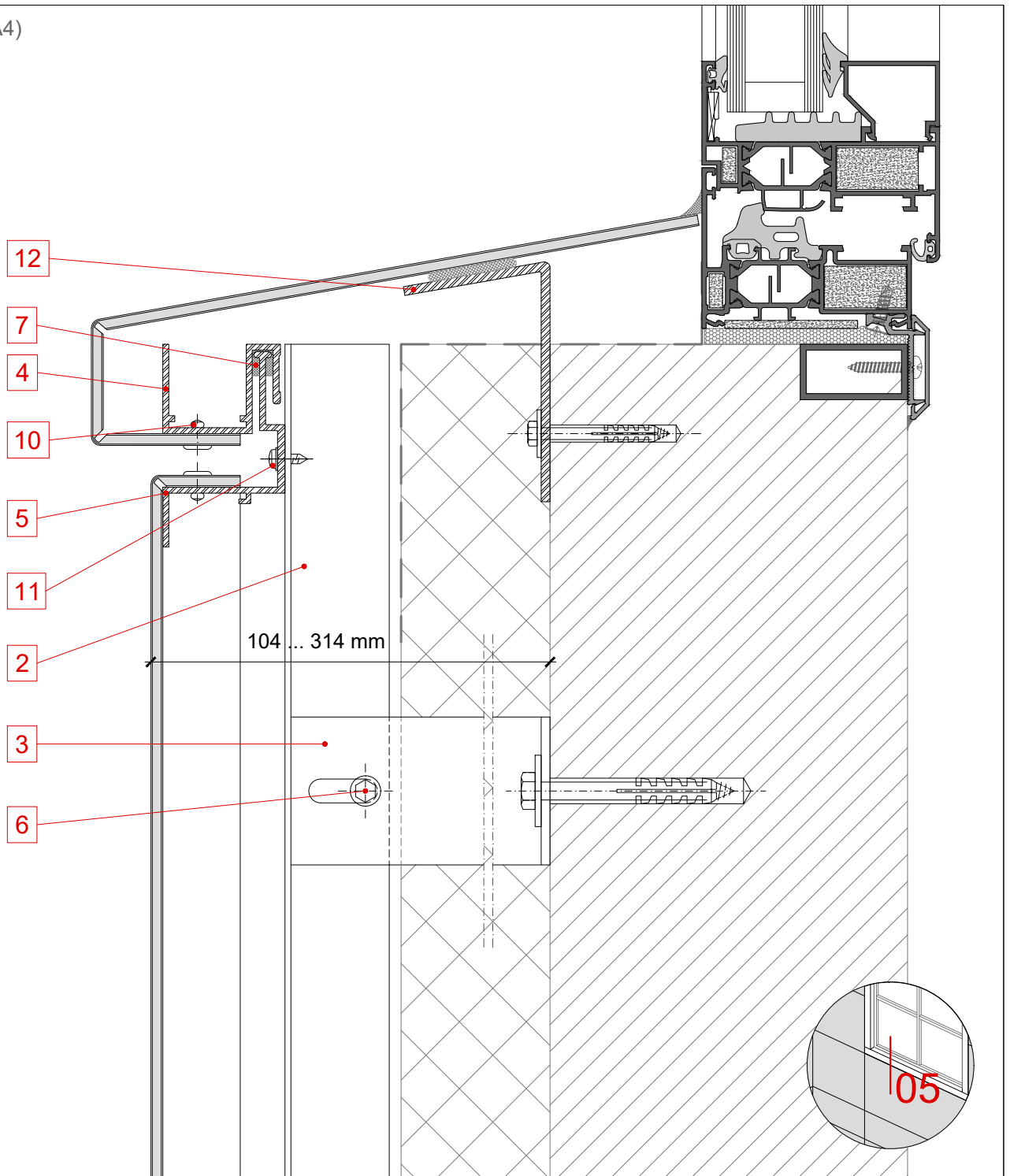
SZ.05.03

Any unauthorised reproduction, distribution, public communication and/or transformation of this document constitutes a copyright violation.

STAC® is not responsible for its use which is, in any case, intended for evaluation by technically skilled persons, and it is subject to their own discretion and risk.

This information is for conceptual use only, and it may change.

1:2 (A4)



1 STACBOND panel cassette

2 Profil OMEGA

3 Spacer DOUBLE T

4 Profile S

5 Profile Z

6 Through screw M 6 x 60/70

7 EPDM gasket profile SZ

8 Riveted plate for panel joint reinforcement

9 Reinforcement STB-SZ

10 Blind rivet

11 Self-drilling screw

12 Auxiliar profile

13 Water drainage holes

14 Adapted profile Z

15 Water drainage folded sheet

REV 08/18

SYSTEM STB-SZ

CONSTRUCTION DETAILS

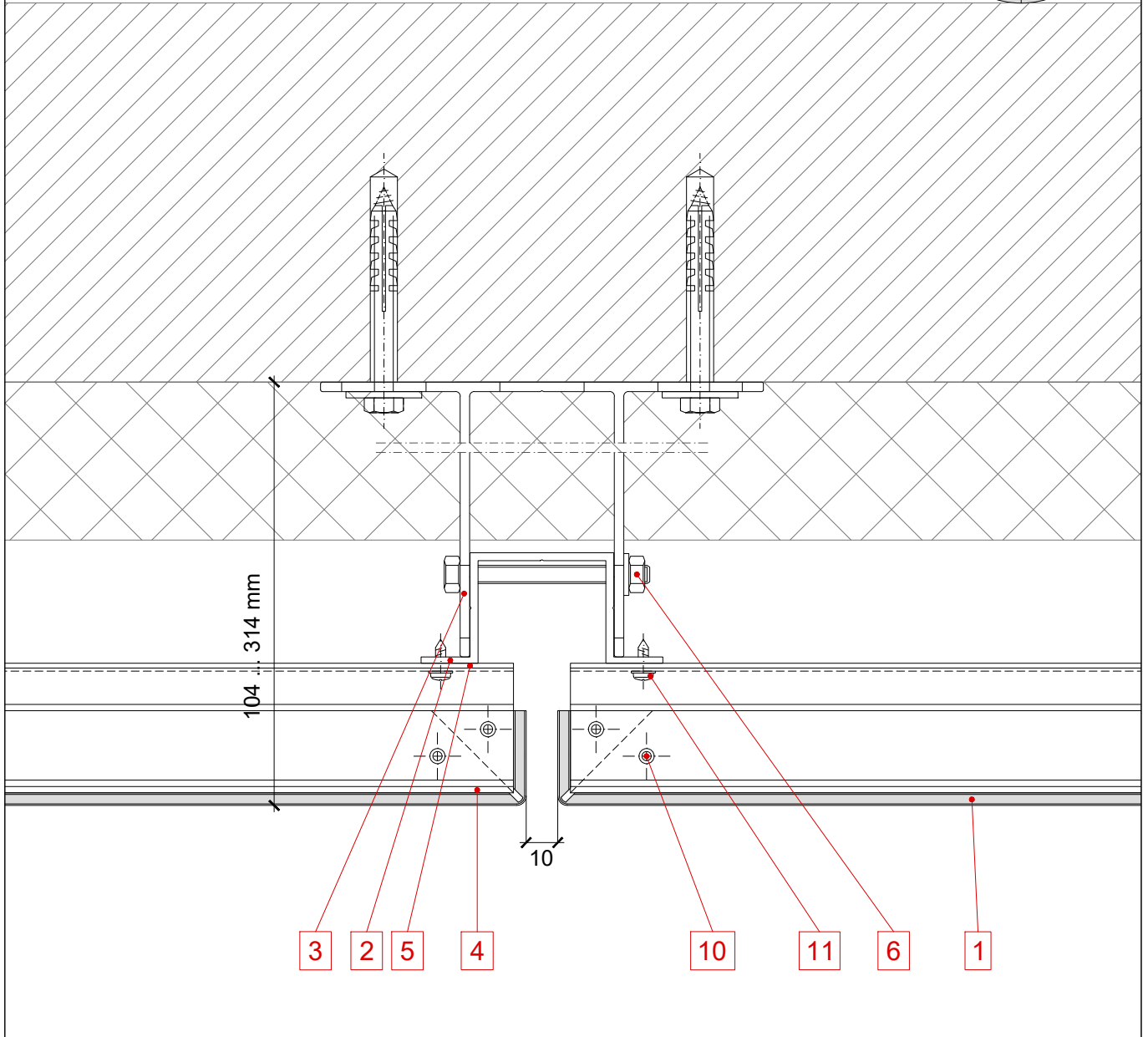
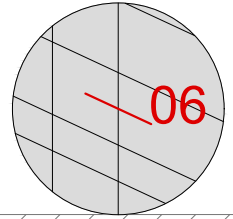
HORIZONTAL SECTION

VERTICAL JOINT

STAC BOND

SZ.06.01

1:2 (A4)



1 **STACBOND** panel cassette

2 Profil OMEGA

3 Spacer DOUBLE T

4 Profile S

5 Profile Z

6 Through screw M 6 x 60/70

7 EPDM gasket profile SZ

8 Riveted plate for panel joint reinforcement

9 Reinforcement STB-SZ

10 Blind rivet

11 Self-drilling screw

12 Auxiliar profile

13 Water drainage holes

14 Adapted profile Z

15 Water drainage folded sheet

REV 08/18

SYSTEM STB-SZ

CONSTRUCTION DETAILS

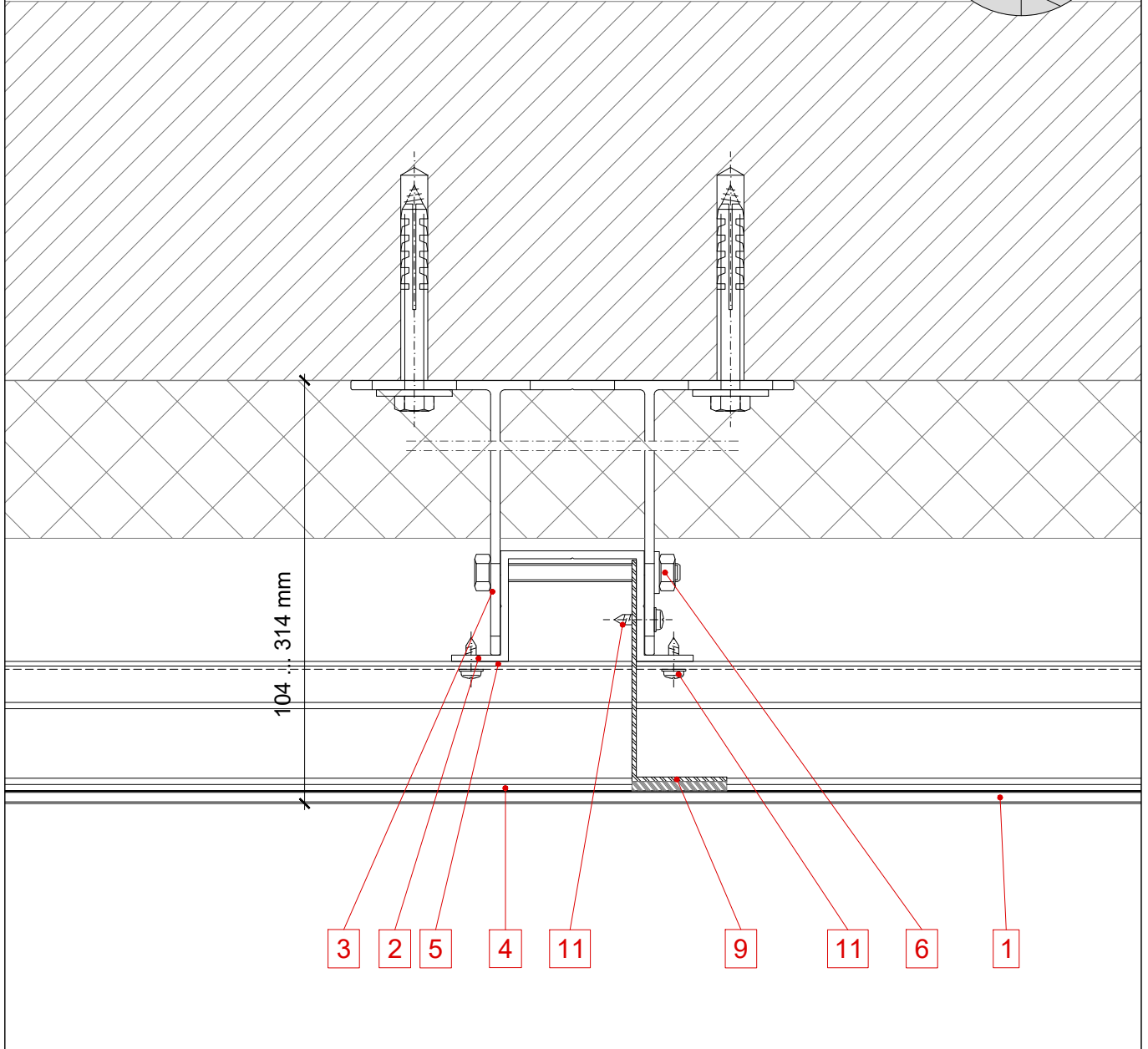
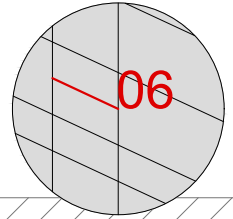
HORIZONTAL SECTION

VERTICAL JOINT

STAC BOND

SZ.06.02

1:2 (A4)



1 **STACBOND** panel cassette

2 Profil OMEGA

3 Spacer DOUBLE T

4 Profile S

5 Profile Z

6 Through screw M 6 x 60/70

7 EPDM gasket profile SZ

8 Riveted plate for panel joint reinforcement

9 Reinforcement STB-SZ

10 Blind rivet

11 Self-drilling screw

12 Auxiliar profile

13 Water drainage holes

14 Adapted profile Z

15 Water drainage folded sheet

REV 08/18

SYSTEM STB-SZ

CONSTRUCTION DETAILS

HORIZONTAL SECTION

OUTER CORNER

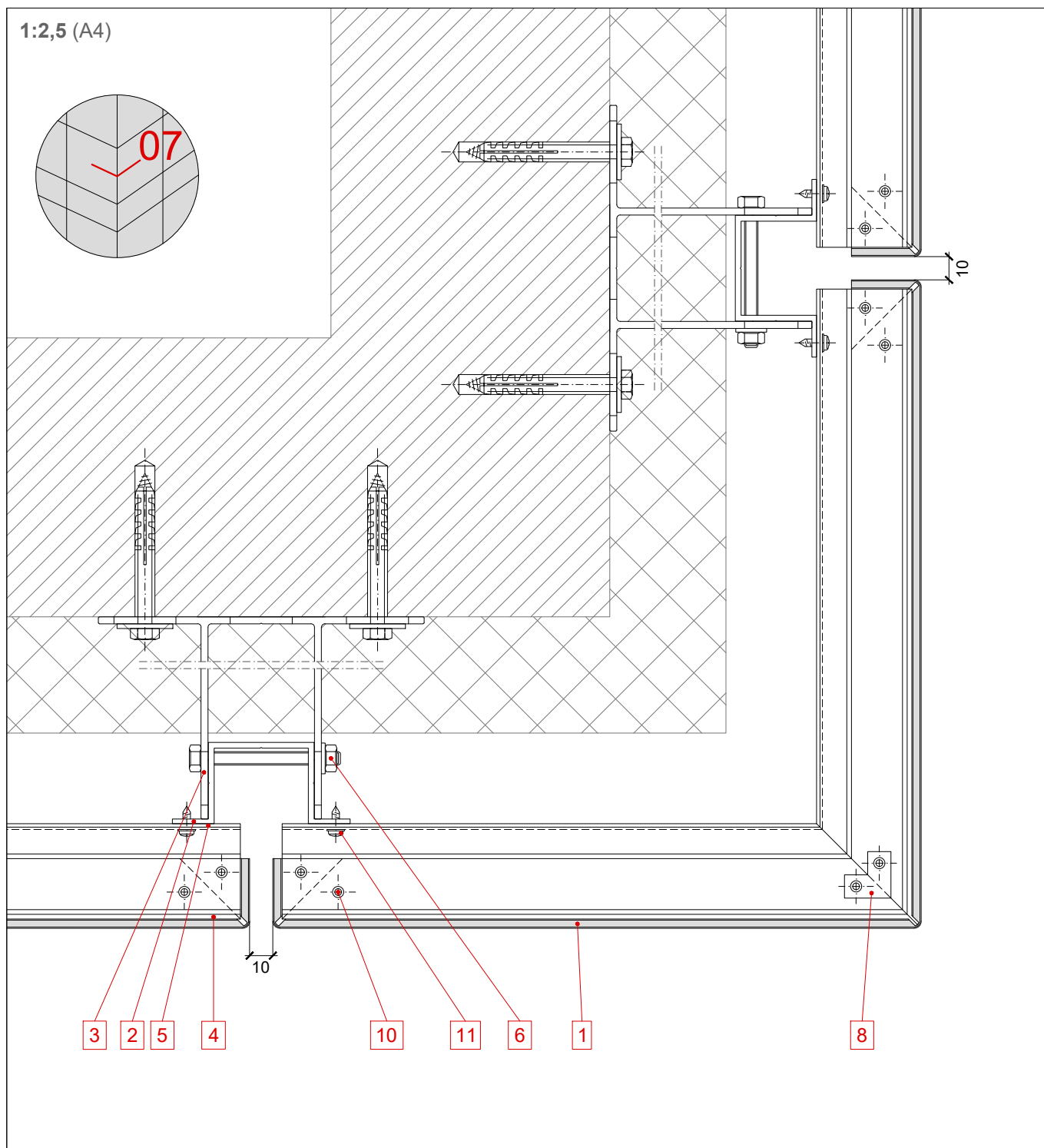
STAC BOND

SZ.07.01

Any unauthorised reproduction, distribution, public communication and/or transformation of this document constitutes a copyright violation.

STAC® is not responsible for its use which is, in any case, intended for evaluation by technically skilled persons, and it is subject to their own discretion and risk.

This information is for conceptual use only, and it may change.



1 STACBOND panel cassette

2 Profil OMEGA

3 Spacer DOUBLE T

4 Profile S

5 Profile Z

6 Through screw M 6 x 60/70

7 EPDM gasket profile SZ

8 Riveted plate for panel joint reinforcement

9 Reinforcement STB-SZ

10 Blind rivet

11 Self-drilling screw

12 Auxiliar profile

13 Water drainage holes

14 Adapted profile Z

15 Water drainage folded sheet

REV 08/18

SYSTEM STB-SZ

CONSTRUCTION DETAILS

HORIZONTAL SECTION

INNER CORNER

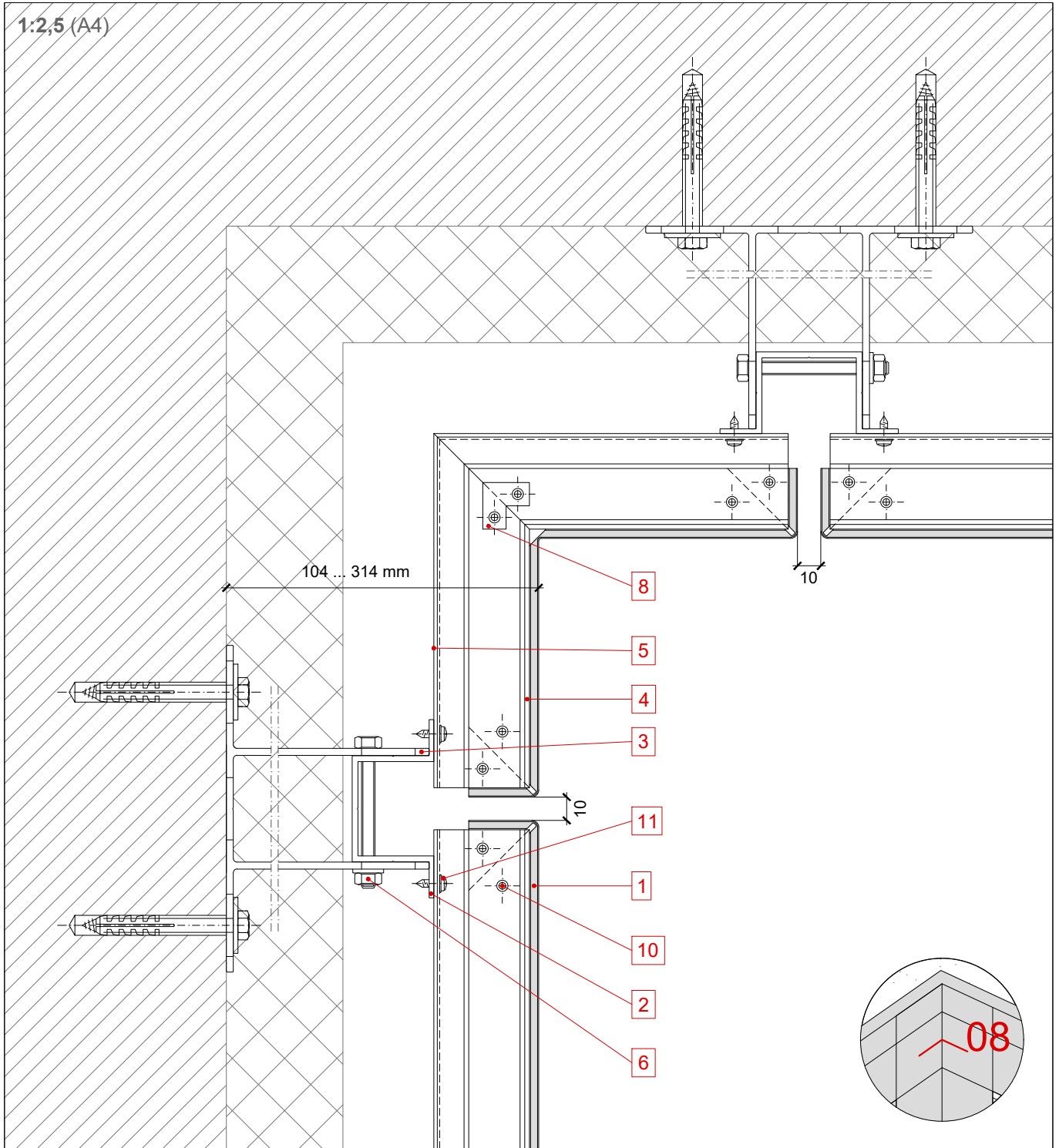
STAC BOND

SZ.08.01

Any unauthorised reproduction, distribution, public communication and/or transformation of this document constitutes a copyright violation.

STAC® is not responsible for its use which is, in any case, intended for evaluation by technically skilled persons, and it is subject to their own discretion and risk.

This information is for conceptual use only, and it may change.



1 STACBOND panel cassette

2 Profil OMEGA

3 Spacer DOUBLE T

4 Profile S

5 Profile Z

6 Through screw M 6 x 60/70

7 EPDM gasket profile SZ

8 Riveted plate for panel joint reinforcement

9 Reinforcement STB-SZ

10 Blind rivet

11 Self-drilling screw

12 Auxiliar profile

13 Water drainage holes

14 Adapted profile Z

15 Water drainage folded sheet

REV 08/18

SYSTEM STB-SZ

CONSTRUCTION DETAILS

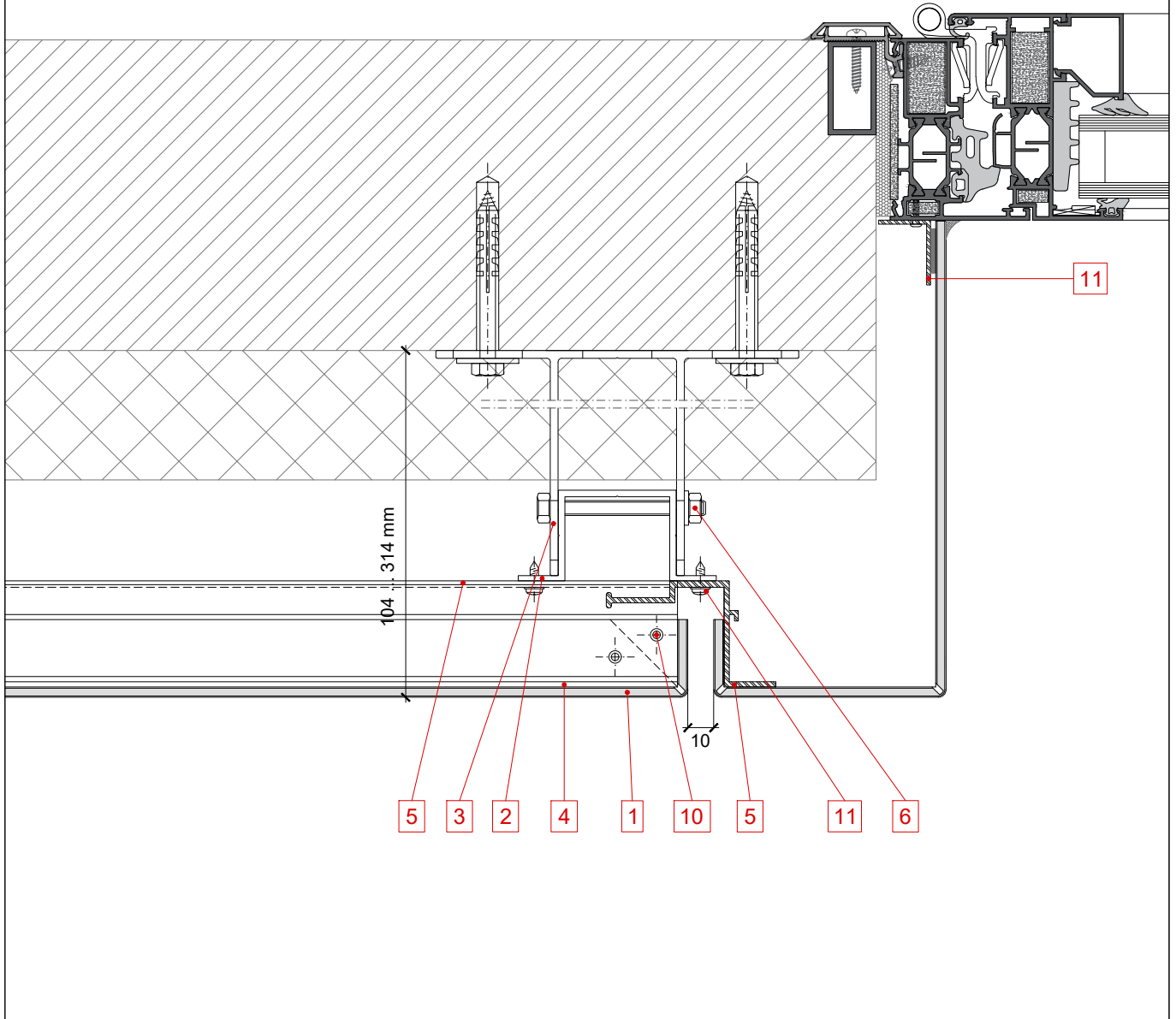
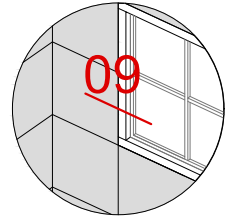
HORIZONTAL SECTION

WINDOW JAMB

STAC BOND

SZ.09.01

1:2,5 (A4)



1 **STACBOND** panel cassette

2 Profil OMEGA

3 Spacer DOUBLE T

4 Profile S

5 Profile Z

6 Through screw M 6 x 60/70

7 EPDM gasket profile SZ

8 Riveted plate for panel joint reinforcement

9 Reinforcement STB-SZ

10 Blind rivet

11 Self-drilling screw

12 Auxiliar profile

13 Water drainage holes

14 Adapted profile Z

15 Water drainage folded sheet

REV 08/18

SYSTEM STB-SZ

CONSTRUCTION DETAILS

HORIZONTAL SECTION

ROUNDED CORNER

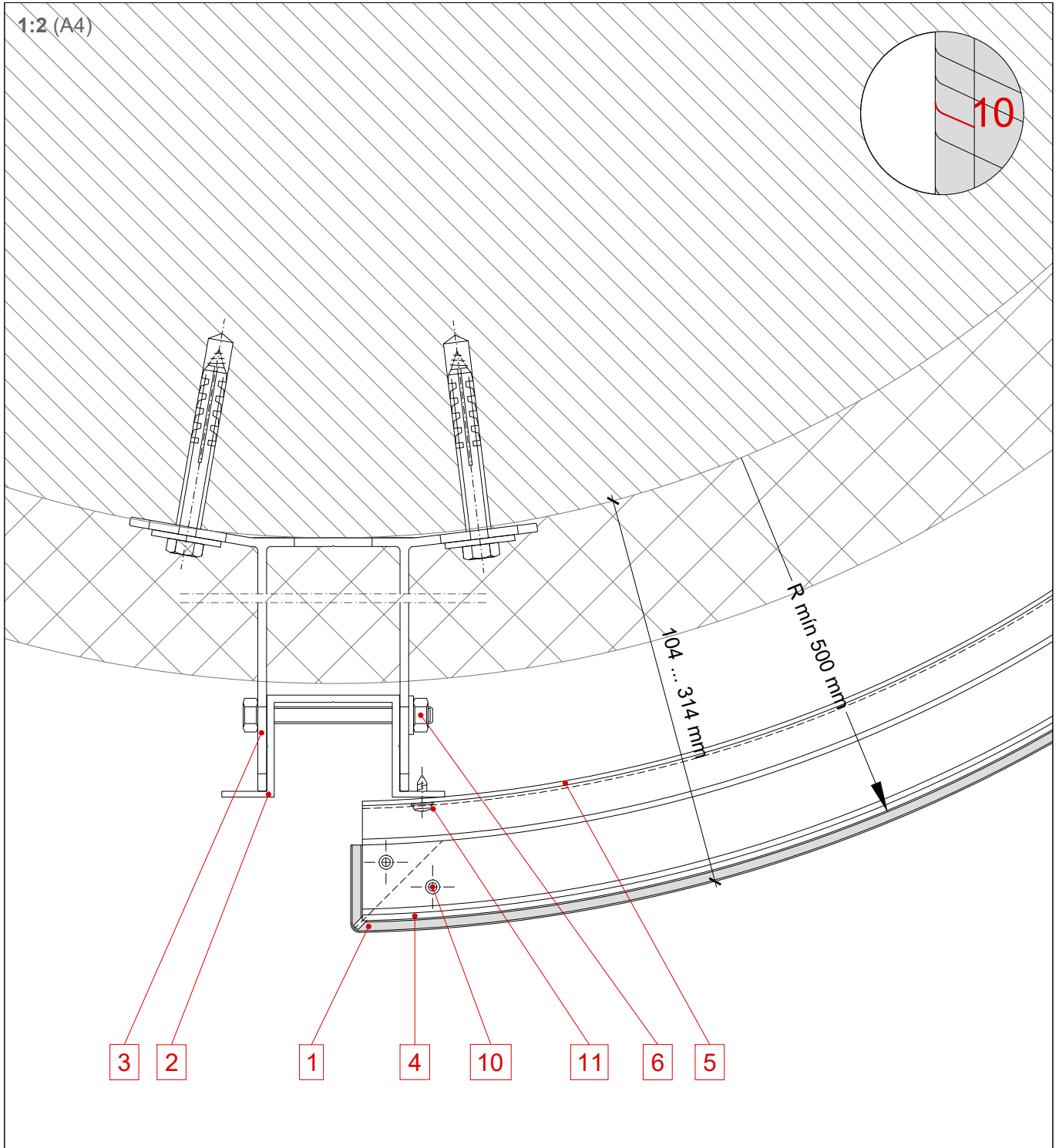
STAC BOND

SZ.10.01

Any unauthorised reproduction, distribution, public communication and/or transformation of this document constitutes a copyright violation.

STAC® is not responsible for its use which is, in any case, intended for evaluation by technically skilled persons, and it is subject to their own discretion and risk.

This information is for conceptual use only, and it may change.



1 STACBOND panel cassette

2 Profil OMEGA

3 Spacer DOUBLE T

4 Profile S

5 Profile Z

6 Through screw M 6 x 60/70

7 EPDM gasket profile SZ

8 Riveted plate for panel joint reinforcement

9 Reinforcement STB-SZ

10 Blind rivet

11 Self-drilling screw

12 Auxiliar profile

13 Water drainage holes

14 Adapted profile Z

15 Water drainage folded sheet

REV 08/18

SYSTEM STB-SZ

CONSTRUCTION DETAILS

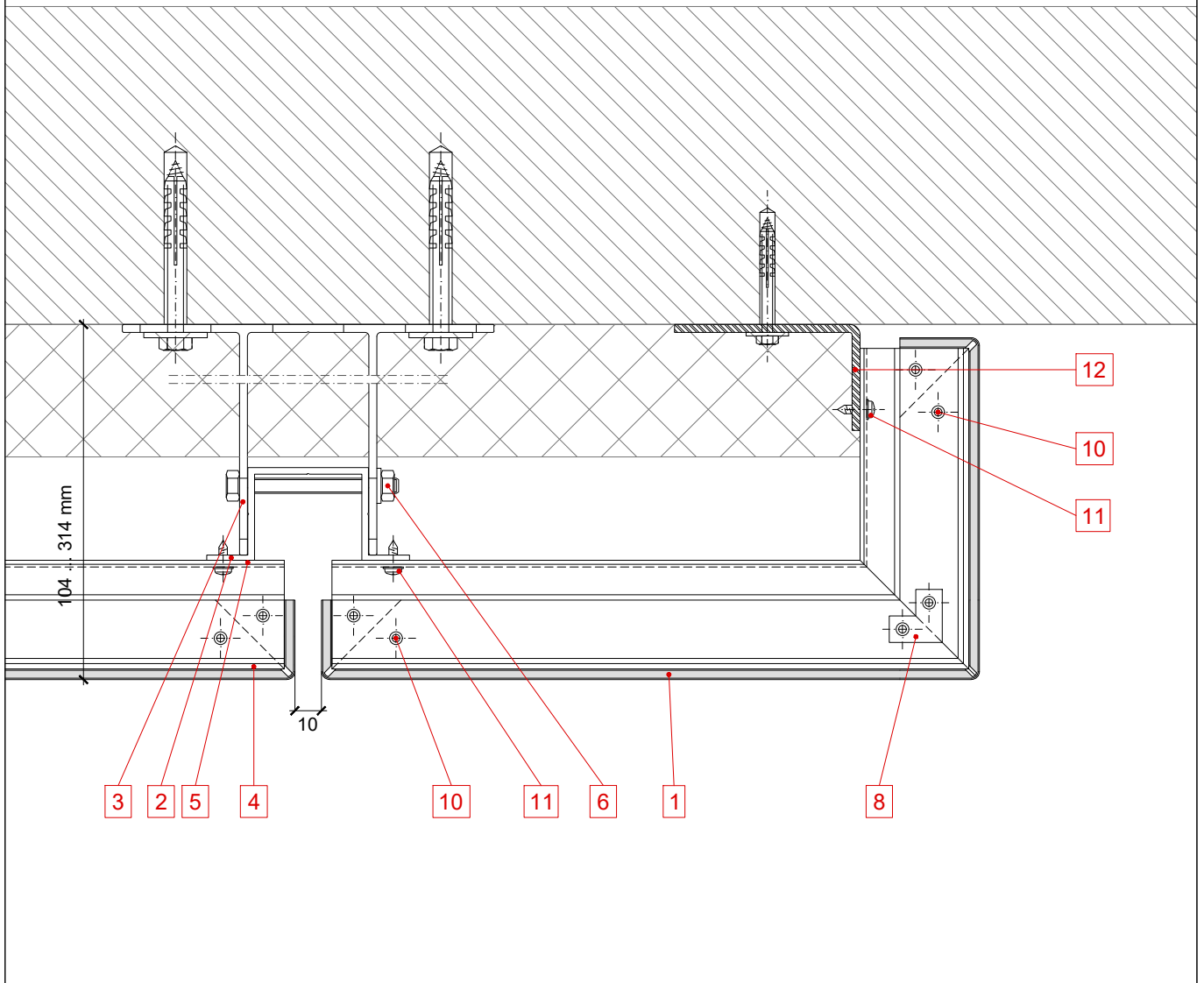
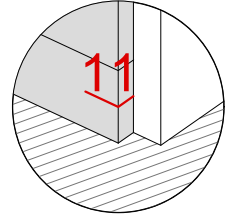
VERTICAL SECTION

LATERAL CLADDING END

STAC BOND

SZ.11.01

1:2,5 (A4)



1 **STACBOND** panel cassette

2 Profil OMEGA

3 Spacer DOUBLE T

4 Profile S

5 Profile Z

6 Through screw M 6 x 60/70

7 EPDM gasket profile SZ

8 Riveted plate for panel joint reinforcement

9 Reinforcement STB-SZ

10 Blind rivet

11 Self-drilling screw

12 Auxiliar profile

13 Water drainage holes

14 Adapted profile Z

15 Water drainage folded sheet

REV 08/18

SYSTEM STB-SZ

CONSTRUCTION DETAILS

VERTICAL SECTION

CEILING

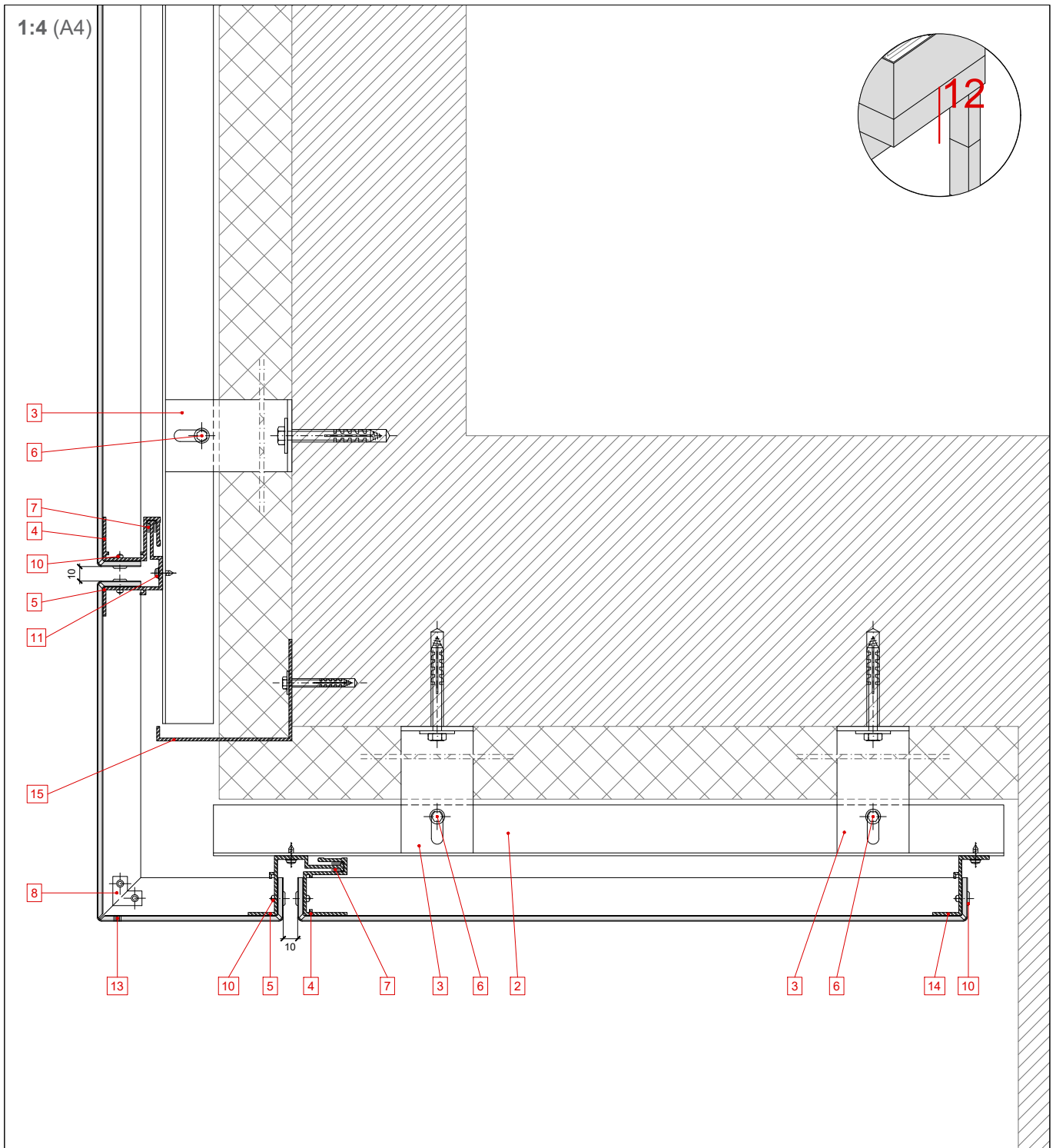
STAC BOND

SZ.12.01

Any unauthorised reproduction, distribution, public communication and/or transformation of this document constitutes a copyright violation.

STAC® is not responsible for its use which is, in any case, intended for evaluation by technically skilled persons, and it is subject to their own discretion and risk.

This information is for conceptual use only, and it may change.



1 STACBOND panel cassette

2 Profil OMEGA

3 Spacer DOUBLE T

4 Profile S

5 Profile Z

6 Through screw M 6 x 60/70

7 EPDM gasket profile SZ

8 Riveted plate for panel joint reinforcement

9 Reinforcement STB-SZ

10 Blind rivet

11 Self-drilling screw

12 Auxiliar profile

13 Water drainage holes

14 Adapted profile Z

15 Water drainage folded sheet

REV 08/18